

TECHNICAL DATA FOR DIGITAL MULTIMETER

MODEL: M-3610D & M-3650D

MATERIAL PART LIST




M - 3 6 1 0 D

NO : 1st Rev.

MODEL : M-3610D

DATE : Dec 27. 1993.

PAGE : 6

CHARGE	CHECKED	APPROVED
		

M A T E R I A L P A R T L I S T

Model : M-3610D

Date : 1993.12.27

NO	N A M E	RATINGS & DIMENSION	UNIT	Q'TY	PART NO.	REMARKS
1	C . P . U .	KS57C2016	ea	1	IC1	SAMSUNG ELECTRONICS KOREA.
2	L . S . I .	MAX130CPL	ea	1	IC2	MAXIM INTEGRATED PRODUCTS LTD. U.S.A.
3	I . C .	GD4027BD/MC14027BD	ea	1	IC3	GOLDSTAR ELECTRON, KOREA MOTOROLA SEMICON. U.S.A.
4	I . C .	TL062	ea	1	IC4	JRC. TI.
5	I.C.	GD4011BD/MC14011BD	ea	1	IC5	GOLDSTAR ELECTRON, KOREA MOTOROLA SEMICON. U.S.A.
6	I.C.	GD4066BD/MC14066BD	ea	1	IC6	GOLDSTAR ELECTRON, KOREA MOTOROLA SEMICON. U.S.A.
7	PHOTO COUPLERS	LTV - 817/TLP - 621	ea	2	IC7, IC8	GOLDSTAR ELECTRON, KOREA MOTOROLA SEMICON. U.S.A.
8	H. I. C.	HD - 08	ea	1	IC9	DOSHIN PRECISION CO., LTD KOREA
9	TRANSISTOR	KTA1504S	ea	2	Q1, Q2	KOREA ELECTRONICS CO., LTD.
10	TRANSISTOR	KTC3875SY	ea	4	Q3, 4, 5, 6	KOREA ELECTRONICS CO., LTD.
11	TRANSISTOR	C3121	ea	1	Q7	KOREA ELECTRONICS CO., LTD.
12	TRANSISTOR	2SK192A	ea	1	Q8	KOREA ELECTRONICS CO., LTD.
13	TRANSISTOR	MMBT442	ea	1	Q9	KOREA ELECTRONICS CO., LTD.
14	M. F. R. 1/2W D	9 K Ω	ea	1	R1	FOX COMPANY JAPAN
15	M. F. R. 1/4W D	900 K Ω	ea	1	R2	KOA CORPORATION JAPAN
16	M. F. R. 1/4W D	90 K Ω	ea	1	R3	KOA CORPORATION JAPAN
17	M. F. R. 1/4W D	9 K Ω	ea	1	R4	KOA CORPORATION JAPAN
18	M. F. R. 1/4W D	900 Ω	ea	1	R5	KOA CORPORATION JAPAN
19	M. F. R. 1/4W D	100 Ω	ea	1	R6	KOA CORPORATION JAPAN
20	M. F. R. 1/4W D	900 K Ω	ea	1	R7	DUWON ELEC CO., LTD. KOREA
21	M. F. R. 1/4W D	90 K Ω	ea	1	R8	DUWON ELEC CO., LTD. KOREA
22	M. F. R. 1/4W D	900 Ω	ea	1	R9	DUWON ELEC CO., LTD. KOREA
23	M. F. R. 1/4W D	100 Ω	ea	1	R10	DUWON ELEC CO., LTD. KOREA

NO	N A M E	RATINGS & DIMENSION	UNIT	Q'TY	PART NO.	REMARKS
24	M.N.W.R. 2W	1 Ω	ea	1	R11	SUNG JU ELEC CO. KOREA
25	M.N.P.R. 10W	0.01 Ω	ea	1	R12	SAMHWA PRECISION CO. KOREA
26	M.F.R. 1/4W F	130 K Ω	ea	1	R13	DUWON ELEC CO., LTD KOREA
27	M.F.R. 1/4W F	990 K Ω	ea	1	R14	DUWON ELEC CO., LTD KOREA
28	M.F.R. 1/4W F	10 K Ω	ea	1	R15	DUWON ELEC CO., LTD KOREA
29	M.F.R. 1/4W F	6.8 K Ω	ea	2	R16, R17	DUWON ELEC CO., LTD KOREA
30	M.F.R. 1/4W F	4 K Ω	ea	1	R18	DUWON ELEC CO., LTD KOREA
31	M.F.R. 1/4W F	1.5 K Ω	ea	1	R19	DUWON ELEC CO., LTD KOREA
32	M.F.R. 1/4W F	330 Ω	ea	1	R20	DUWON ELEC CO., LTD KOREA
33	M.F.R. 1/4W F	1.87 K Ω	ea	1	R21	DUWON ELEC CO., LTD KOREA
34	M.F.R. 1/4W F	3 K Ω	ea	1	R22	DUWON ELEC CO., LTD KOREA
35	M.F.R. 1/2W J	1 K Ω	ea	1	R23	DUWON ELEC CO., LTD KOREA
36	C.F.R. 1/4W J	330 K Ω MCR18J	ea	1	R24	ROHM KOREA CO.
37	C.F.R. 1/4W J	10 K Ω MCR18J	ea	3	R25, 26, 27	ROHM KOREA CO.
38	C.F.R. 1/4W J	6.8 K Ω MCR18J	ea	1	R28	ROHM KOREA CO.
39	C.F.R. 1/4W J	2.2 K Ω MCR18J	ea	1	R29	ROHM KOREA CO.
40	C.F.R. 1/4W J	56 K Ω MCR18J	ea	2	R30, 31	ROHM KOREA CO.
41	C.F.R. 1/4W J	7.5 K Ω MCR18J	ea	2	R32, 33	ROHM KOREA CO.
42	C.F.R. 1/4W J	3.3 K Ω MCR18J	ea	2	R34, 35	ROHM KOREA CO.
43	C.F.R. 1/4W J	470 Ω MCR18J	ea	1	R36	ROHM KOREA CO.
44	C.F.R. 1/4W J	750 Ω MCR18J	ea	2	R37, 38	ROHM KOREA CO.
45	C.F.R. 1/4W J	47 K Ω MCR18J	ea	3	R39, 40, 41	ROHM KOREA CO.
46	C.F.R. 1/4W J	3.9 K Ω MCR18J	ea	1	R42	ROHM KOREA CO.
47	C.F.R. 1/4W J	100 Ω MCR18J	ea	1	R43	ROHM KOREA CO.
48	C.F.R. 1/4W J	1 M Ω MCR18J	ea	7	R44-48, R63, 64	ROHM KOREA CO.
49	C.F.R. 1/4W J	220 K Ω	ea	1	R49	ROHM KOREA CO.
50	C.F.R. 1/4W J	100 K Ω	ea	12	R50 - R62	ROHM KOREA CO(R58 제외)

M A T E R I A L P A R T L I S T

Model : M-3610D

Date : 1993.12.27

NO	N A M E	RATINGS & DIMENSION	UNIT	Q'TY	PART NO.	REMARKS
51	C.F.R 1W J	100 KΩ	ea	1	R58	ROHM KOREA CO.
52	REC. DIODE	1N4007	ea	5	D1, 2, 3, 4, 5	LITEON POWER SEMICONDUCTOR CO. TIWAN
53	SW. DIODE	KDS193/KDS196	ea	9	D6 - D14	KOREA ELECTRONIC CO., LTD
54	SW. DIODE	KDS224	ea	1	D15	KOREA ELECTRONIC CO., LTD
55	E . C .	47 μF/35V	ea	2	C1, C2	DAEWOO ELECTRONIC COMPONENTS CO., LTD, KOREA
56	E . C .	0.33 μF/50V	ea	3	C3, 4, 5	DAEWOO ELECTRONIC COMPONENTS CO., LTD KOREA
57	E . C .	10 μF /16V	ea	3	C6, C9, C29	DAEWOO ELECTRONIC COMPONENTS CO., LTD KOREA
58	E . C .	1 μF /16V	ea	2	C7, 8	DAEWOO ELECTRONIC COMPONENTS CO., LTD KOREA
59	E . C .	4.7 μF /16V	ea	3	C10, 11, 30	DAEWOO ELECTRONIC COMPONENTS CO., LTD KOREA
60	C . C .	100pF GMC31CG101J50NIF	ea	2	C12, 13	LUCKY LTD. KOREA
61	C . C .	220pF GMC21CG221J50NIF	ea	2	C14, 15	LUCKY LTD. KOREA
62	C . C .	104 MC31Y5V104Z50ZIF	ea	3	C16, 17, 31	LUCKY LTD. KOREA
63	C . C .	33pF MC21CG330J50NIF	ea	1	C18	LUCKY LTD. KOREA
64	C . C .	22pF GMC21CG220J50NIF	ea	3	C19, 20, 21	LUCKY LTD. KOREA
65	SURGE CAPACITOR	102 / 1 KV	ea	1	C22	DONGEUN ELECT CO. KOREA
66	C . C .	103 MC31X7R103K60NIM	ea	1	C23	LUCKY LTD. KOREA
67	M.P.F.C.	224 / 63V K	ea	2	C24, 25	YUCHARG ELEC CO., LTD, KOREA
68	M.P.F.C.	104	ea	3	C26, 27, 28	YUCHARG ELEC CO., LTD, KOREA
69	CRYSTAL	32.768 KHz	ea	1	XT1	TAITIEN ELEC.CO., LTD, TIWAN
70	CRYSTAL	4.185 MHz	ea	1	XT2	ILSHIN COMMUNICATION LTD.
71	FUSE	S501 2A/250V	ea	2	F1	BUSSMAN COOPER UK LIMITED
72	FUSE	ABC 20A/250V	ea	1	F2	BUSSMAN DIVISION COOPER INDUSTRIES U.S.A.
73	FUSE CLIP	1A3399 - 10	ea	2		BUSSMAN DIVISION COOPER INDUSTRIES U.S.A.

M A T E R I A L P A R T L I S T

Model : M-3610D

Date : 1993.12.27

NO	N A M E	RATINGS & DIMENSION	UNIT	Q' TY	PART NO.	REMARKS
74	FUSE CLIP	1A1119 - 10 20A	ea	2		BUSSMAN DIVISION COOPER INDUSTRIES U.S.A.
75	BUZZER	PIEZO BUZZER (20φ)	ea	1	BZ1	HUNPYUNG ELEC. CO. KOREA
76	PUSH SWITCH	2C2P SELFLOCK DLT2288	ea	1	SW1	DAILIM ELECTRONIC CO. KOREA
77	M.T.V.R	200 Ω 89PR200	ea	1	VR1	BECKMAN IND. JAPAN LTD.
78	M.D.V.R.	200 Ω 687A-200B	ea	1	VR2	RAPID ELEC. CO., LTD. KOREA
79	POSISTOR	1.5KΩ B59886	ea	1	PTC1	SIEMENS COMPONENTS PTE. LTD
80	JACK TERMINAL	M-3850	ea	4		ILSHIM PRECISION CO. KOREA
81	L.C.D.	LS - 0725A	ea	1		SAMSUNG DISPLAY DEVICES CO., LTD. KOREA
82	L.C.D. BASE	MS-9150	ea	1		DAEHAN PRECISION CO., LTD
83	WINDOW	M-3610D	ea	1		DAEHAN PRECISION CO., LTD
84	GROUND POLE	M - 36CR (φ6 X 4.0)	ea	1		ILSHIM PRECISION CO.
85	SHIELD PAPER	M-3610D	ea	1		SUNGWON IND. CO.
86	KNOB	M-3270	ea	1		DAEHAN PRECISION CO., LTD
87	SELECTOR	M-36D	ea	1		DAEHAN PRECISION CO., LTD
88	P.C.B.	M-3610D 74.0 X 152.0 X 1.6t	ea	1		KIJOO INDUSTRIAL CO., LTD. KOREA
89	P.C.B. (SUB)	M-3610D 74.0 X 85.0 X 1.6t	ea	1		DONGYANG PRODUCTS CO., LTD. ORITECH CO. JIN HUNG ELECTRON CO.
90	I.C. SOCKET	11 PIN	ea	1		WOYOYUNG INDUSTRIAL, LTD.
91	I.C. SOCKET	9 PIN	ea	1		WOYOYUNG INDUSTRIAL, LTD.
92	I.C. SOCKET	3 PIN	ea	1		WOYOYUNG INDUSTRIAL, LTD.
93	I.C. SOCKET	2 PIN	ea	1		WOYOYUNG INDUSTRIAL, LTD.
94	CONNECTOR	25 PIN	ea	1		SAMWHA PRECISION CO.
95	CONNECTOR WAFER	3024 - 06AHPB	ea	1		MOLEX JAPAN CO., LTD
96	BATTERY SNAP	M - 36CR (180mm)	ea	1		WONJIN IND. CO. KOREA
97	FRONT CASE	M-3610D	ea	1		DAE HAN PRECISION CO.

M A T E R I A L P A R T L I S T

Model : M-3610D

Date : 1993.12.27

NO	N A M E	RATINGS & DIMENSION	UNIT	Q`TY	PART NO.	REMARKS
98	BACK CASE	M - 3610D	ea	1		DAE HAN PRECISION CO.
99	POWER S/W KNOB	M - 3610D (RED)	ea	1		DAE HAN PRECISION CO.
98	BATTERY COVER	M - 3610D	ea	1		DAE HAN PRECISION CO.
99	STAND	M - 3270	ea	1		DAE HAN PRECISION CO.
100	S/W RUBBER GUIDE	M - 3610D	ea	1		DAE HAN PRECISION CO.
101	KEY RUBBER	M - 3610D	ea	3		KYUNG WON IND CO.
102	GASKET	M - 3610D	ea	1		SUNG WON INC.CO. KOREA
103	E RING	φ 5.0	ea	1		A - JU CO.
104	BALL	φ 4.0 (φ 3.96)	ea	2		DUCK SHIN CO.
105	COIL SPRING	외경 3.85, 자유장 7.5	ea	1		HYUP SUNG IND.CO. KOREA
106	COIL SPRING	외경 3.85, 자유장 6.0	ea	1		HYUP SUNG IND.CO. KOREA
107	INTER CONNECTOR	16.9 X 16.1 X 1.8 T	ea	2		YU IL ELECTRONICS CO.
108	RS-232C CABLE SET	6 PIN	ea	1		JIN AH IND.CO.KOREA
109	SCREW	M-36CR (M3.0 X 21.0)	ea	4		SUNG GA IND.CO. KOREA
110	SCREW	M-36CR (M2.6 X 10.5)	ea	1		SUNG GA IND CO. KOREA
111	SCREW	M3 X 4.0 (MACHINE)	ea	4		SUNG GA IND CO. KOREA
112	SCREW	M2 X 5.0 (TAPPING)	ea	4		SUNG GA IND CO. KOREA
113	SCREW	M-36CR (M2.6 X 4)	ea	1		SUNG GA IND CO. KOREA
114	SUPPORT SCREW	M3 X 4.0	ea	3		SUNG GA IND CO. KOREA
115	SCREW	M2.6 X 7.0	ea	3		SUNG GA IND CO. KOREA
116	SCREW	M2.6 X 3.0	ea	2		SUNG GA IND CO. KOREA
117	S/W PANNEL	M-3610D	ea	1		SUNGWON IND.CO.
118	AIR BAG	M-3850	ea	1		YU SUNG IND.CO.
119	RUBBER FOOT	M-36B	ea	1		KYUNG WON IND.CO.
120	RUBBER FOOT	M-818	ea	1		KYUNG WON IND.CO.
121	SELECTOR SHAFT	M-3270	ea	1		IL SHIM PRECIHION CO.

MATERIAL PART LIST

M - 3 6 5 0 D




ITEM NO.	NO.	N A M E	DESCRIPTION	CONTENTS	REVISED	REMARKS
1	14	TRANSISTOR	MMBTA42	1ea (Q7) → 2ea(Q7,11)		INC
2	40	C.F.R. ¼W J	10K	4ea(R26-R29) → 3ea(R26,28,42)		DEC
3	48	"	47K	3ea(R40-42) → 2ea(R40,41)		DEC
5	52	"	10K	1ea(R29) → 15K 1ea(R29)		REV
6	53	"	1M	7ea(R45-49,68,69) → 6ea(R27,45-47,68,69)		DEC
7	55	"	1.8K	1ea(R51) → 1.5K 1ea(R51)		REV
8	57	"	100K	14ea(R53-66) → 22ea(R53-66,70,74-80)		INC
10	60	"	3K	1ea(R81)		INS
11	62	SW. DIODE	KDS193/196	8ea(D6-13) → 9ea(D6-14)		INC
12	63	E.C	47uF/35V	2ea(C1,2) → 47uF/16V 2ea (C1,2)		REV
13	64	"	0.33uF/50V	1ea(C3) → 2ea(C3,35)		INC
14	65	"	10uF/16V	3ea(C6,9,34) → 4ea(C6,9,34,38)		INC
15	67	"	4.7uF/16V	5ea(C4,5,10,11,35) → 5ea(C4,5,10,11,25)		REV
16	68	C.C	104	1ea (C32) → 223 1ea(C32)		REV
17	69	"	104	1ea (C33) → 124 1ea(C33)		REV
18	70	"	100pF	2ea(C12,13) → 100pF 1ea(C12)		DEC
	71	"	220PF	3ea(C14-16) → 220PF 2ea(C15,16)		DEC
19	72	"	104	5ea (C17-19,32,33) → 4ea(C17-19,36)		DEC
20	73	"	33pF	1ea(C20) → 3ea(C13,14,20)		INC
21	74	CRYSTAL	32.768KHz	1ea(XT1) → 38.400KHz 1ea(XT1)		REV
22	75	C.C	103	2ea(C25,31) → 1ea (C31)		DEC

NO : 4TH Rev.

MODEL : M-3650D

DATE : Apr. 22, 1994

PAGE : 6

CHARGE	CHECKED	APPROVED
		

M A T E R I A L P A R T L I S T

ITEM NO.	NO.	N A M E	DESCRIPTION	CONTENTS	REVISED	REMARKS
23	76	C.C	472 1ea(C37)			INS
24	92	M.D.V.R.	500K 1ea(VR3) → 300K 1ea(VR3)			REV
25	105	CONNECTOR PIN	33PIN → 33PIN (90m/m)			REV
26	111	BATTERY SNAP	M36CR → M36CR (180m/m)			REV
27	119	KEY RUBBER	M3270 → M3270(3KEY)			REV
28	120	KEY RUBBER	M36D → M3270(2KEY)			REV
29	151	JUMP WIRE	8.5 Cm STYLE:1007 SIZE: AWG26			INS

* 생산기술 윤안재 기사의 요구에 의하여 수정함.

M A T E R I A L P A R T L I S T

Model : M-3650D

Date : Apr. 22, 1994

NO	N A M E	RATINGS & DIMENSION	UNIT	Q T Y	PART NO.	REMARKS
1	C. P. U.	KS57C2016	ea	1	IC1	SAMSUNG ELECTRONICS. KOREA
2	L. S. I.	MAX13CCPL	ea	1	IC2	MAXIM INTEGRATED PRODUCTS LTD. U.S.A.
3	I.C	GD40273D/MC140273D	ea	1	IC3	GOLDSTAR ELECTRON. KOREA MOTOROLA SEMICON. U.S.A.
4	"	ICM7555C3A	ea	1	IC5	HARRIS SEMICONDUCTOR. U.S.A.
5	"	GD4011BD/MC14011BD	ea	1	IC7	GOLDSTAR ELECTRON. KOREA MOTOROLA SEMICON. U.S.A.
6	"	GD4066BD/MC14066BD	ea	1	IC8	GOLDSTAR ELECTRON. KOREA MOTOROLA SEMICON. U.S.A.
7	"	9005 7ACCS	ea	1	IC11	SGS-THOMSON MICRO ELEC.
8	H. I. C	HD - 08	ea	1	IC4	DOSHIN PRECISION CO., LTD KOREA
9	"	HD-201CR	ea	1	IC6	DOSHIN PRECISION CO., LTD
10	PHOTO COUPLER	LTV-817/TLP-621	ea	2	IC9,10	LITEON ELEC. CO., LTD. TAIWAN TOSHIBA CORP. JAPAN
11	TRANSISTOR	KTA1504	ea	2	Q1,2	KOREA ELECTRONICS CO., LTD.
12	"	KTC3875SY	ea	4	Q3,4,9,10	KOREA ELECTRONICS CO., LTD.
13	"	C3121	ea	1	Q5	KOREA ELECTRONICS CO., LTD.
14	"	MMBT42	ea	2	Q7,11	KOREA ELECTRONICS CO., LTD.
15	F. E. T.	2SK192A	ea	1	Q6	KOREA ELECTRONICS CO., LTD.
16	M. F. R 1/2W D	9 MΩ	ea	1	R1	FOX COMPANY. JAPAN
17	M. F. R 1/4W D	900 KΩ	ea	1	R2	KOA CORPORATION. JAPAN
18	"	90 KΩ	ea	1	R3	KOA CORPORATION. JAPAN
19	"	9 KΩ	ea	1	R4	KOA CORPORATION. JAPAN
20	"	900 Ω	ea	1	R5	KOA CORPORATION. JAPAN
21	"	100 Ω	ea	1	R6	KOA CORPORATION. JAPAN
22	"	900 KΩ	ea	1	R7	DUWON ELEC. CO., LTD. KOREA
23	"	90 KΩ	ea	1	R8	DUWON ELEC. CO., LTD. KOREA
24	"	900 Ω	ea	1	R9	DUWON ELEC. CO., LTD. KOREA
25	"	90 Ω	ea	1	R10	DUWON ELEC. CO., LTD. KOREA

MATERIAL PART LIST

Model : M-3650D

Date : Apr. 22, 1994

NO	NAME	RATINGS & DIMENSION	UNIT	Q'TY	PART NO.	REMARKS
26	M.F.R 1/4W D	9 Ω	ea	1	R11	DUWON ELEC.CO., LTD. KOREA
27	M.N.W.R 1/2W	1 Ω	ea	1	R12	SUNG JU ELEC.CO. KOREA
28	M.N.P.R 10W	0.01 Ω	ea	1	R13	DAESUNG PRECISION CO. KOREA
29	M.F.R 1/4W F	130 KΩ	ea	1	R14	DUWON ELEC.CO., LTD. KOREA
30	"	990 KΩ	ea	1	R15	DUWON ELEC.CO., LTD. KOREA
31	"	10 KΩ	ea	1	R16	DUWON ELEC.CO., LTD. KOREA
32	"	75 Ω	ea	1	R17	DUWON ELEC.CO., LTD. KOREA
33	"	6.8 KΩ	ea	1	R18	DUWON ELEC.CO., LTD. KOREA
34	"	4 KΩ	ea	1	R19	DUWON ELEC.CO., LTD. KOREA
35	"	1.5 KΩ	ea	1	R20	DUWON ELEC.CO., LTD. KOREA
36	"	330 Ω	ea	1	R21	DUWON ELEC.CO., LTD. KOREA
37	M.F.R 1/2W J	1 KΩ	ea	1	R22	DUWON ELEC.CO., LTD. KOREA
38	C.F.R 1/4W J	330 KΩ MCR18J	ea	1	R23	ROHM KOREA CO.
39	"	2.2 MΩ MCR18J	ea	2	R24,25	ROHM KOREA CO.
40	"	10 KΩ MCR18J	ea	3	R26,28,42	ROHM KOREA CO.
41	"	6.8 KΩ MCR18J	ea	1	R30	ROHM KOREA CO.
42	"	2.2 KΩ MCR18J	ea	1	R31	ROHM KOREA CO.
43	"	56 KΩ MCR18J	ea	2	R32,71	ROHM KOREA CO.
44	"	7.5 KΩ MCR18J	ea	2	R33,34	ROHM KOREA CO.
45	"	3.3 KΩ MCR18J	ea	2	R35,36	ROHM KOREA CO.
46	"	470 Ω MCR18J	ea	1	R37	ROHM KOREA CO.
47	"	750 Ω MCR18J	ea	3	R38,39,72	ROHM KOREA CO.
48	"	47 KΩ MCR18J	ea	2	R40,41	ROHM KOREA CO.
49	"	3.9 KΩ MCR18J	ea	1	R43	ROHM KOREA CO.
50	"	100 Ω MCR18J	ea	1	R44	ROHM KOREA CO.

M A T E R I A L P A R T L I S T

Model : M-3650D

Date : Apr. 22, 1994

NO	N A M E	RATINGS & DIMENSION	UNIT	Q`TY	PART NO.	REMARKS
51	C.F.R. 1/4W J	27 K Ω MCR18J	ea	1	R29	ROHM KOREA CO.
52	"	1 M Ω MCR18J	ea	6	R45~47,68,69 R27	ROHM KOREA CO.
53	"	1.8 M Ω MCR18J	ea	1	R50	ROHM KOREA CO.
54	"	1.5 K Ω MCR18J	ea	1	R51	ROHM KOREA CO.
55	"	220 K Ω MCR18J	ea	1	R52	ROHM KOREA CO.
56	"	100 K Ω MCR18J	ea	22	R53-66,70,74-80	ROHM KOREA CO.
57	"	20 K Ω MCR18J	ea	1	R67	ROHM KOREA CO.
58	"	3 K Ω MCR18J	ea	1	R81	ROHM KOREA CO.
59	REC. DIODE	1N4007	ea	5	D1 ~ D5	LITEON POWER SEMICONDUCTOR CO. TIWAN
60	SW. DIODE	KDS 193 / KDS 196	ea	9	D6 ~ D14	KOREA ELECTRONIC CO., LTD.
61	E. C.	47 μ F / 16 V	ea	2	C1,2	DAEWOO ELECTRONIC COMPONENTS CO., LTD. KOREA
62	"	0.33 μ F / 50 V	ea	2	C3,35	"
63	"	10 μ F / 16 V	ea	4	C6,9,34,38	"
64	"	1 μ F / 16 V	ea	2	C7,8	"
65	"	4.7 μ F / 16 V	ea	5	C4,5,10,11,25	"
66	C. C.	223 GMC31CG223J50N1F	ea	2	C32,C33	LUCKY LTD. KOREA
67	"	100pF GMC31CG101J50N1F	ea	1	C12	LUCKY LTD. KOREA
68	"	220pF GMC21CG221J50N1F	ea	2	C15,16	LUCKY LTD. KOREA
69	"	104 MC31Y5V104Z50Z1F	ea	5	C17~19,36,39	LUCKY LTD. KOREA
70	"	33pF MC21CG330J50N1F	ea	3	C13,14,20	LUCKY LTD. KOREA
71	"	22pF GMC21CG220J50N1F	ea	3	C21,22,23	LUCKY LTD. KOREA
72	"	103 MC31X7R103K60N1M	ea	1	C31	LUCKY LTD. KOREA
73	"	472 GMC31X7R472K50N1F	ea	1	C37	LUCKY LTD. KOREA
74	SURGE CAPACITOR	102 / 1 KV	ea	1	C24	DONGEUN ELECT.CO. KOREA

MATERIAL PART LIST

Model : M-3650D

Date : Mar. 22, 1994

NO	N A M E	RATINGS & DIMENSION	UNIT	Q'TY	PART NO.	REMARKS
76	M.P.F.C	224 / 63V	ea	2	C26,27	YUCHANG ELEC.CO.,LTD.KOREA
77	"	104 / 63V	ea	3	C28,29,30	YUCHANG ELEC.CO.,LTD.KOREA
78	CRYSTAL	38.400 KHz	ea	1	XT1	TAITIEN ELEC.CO.,LTD.TAIWAN
79	"	4.1856 MHz	ea	1	XT2	ILSHIN COMMUNICATION LTD.
80	FUSE	S501 2A / 250V	ea	2	F1	BUSSMAN COOPER UK LIMITED
81	"	ABC 20A / 250V	ea	1	F2	BUSSMAN DIVISION COOPER INDUSTRIES U.S.A.
82	FUSE CLIP	1A3399-10	ea	2		BUSSMAN DIVISION LIMITED INDUSTRIES U.S.A.
83	"	1A1119-10	ea	2		BUSSMAN DIVISION LIMITED INDUSTRIES U.S.A.
84	BUZZER	PIEZO BUZZER	ea	1	BZ1	HUNPYUNG ELEC.CO. KOREA
85	C SOCKET PIN	M3850	ea	2		DAESUNG PRECISION CO.KOREA
86	PUSH SWITCH	2C2P SELFLOCK DLT2201	ea	1	SW1	DAILIM ELECTRONIC CO.KOREA
87	TR SOCKET	8 PIN ROUND	ea	1		HYUNGJIN IND.CO. KOREA
88	M.T.V.R	200 Ω 89PR200	ea	1	VR1	BECKMAN IND.JAPAN LTD.
89	M.G.V.R	200 Ω 631HF01-200B	ea	1	VR2	RAPID ELEC.CO.,LTD.KOREA
90	M.D.V.R	300 KΩ 631V01-500K	ea	1	VR3	RAPID ELEC.CO.,LTD.KOREA
91	"	500 Ω 631V01-500B	ea	1	VR4	RAPID ELEC.CO.,LTD.KOREA
92	POSISTOR	1.5 KΩ B59886	ea	1	PTC1	SIEMENS COMPONENTS PTE.LTD
93	JACK TERMINAL	M3850	ea	4		ILSHIM PRECISION CO.KOREA
94	LCD	LS-0725A	ea	1		SAMSUNG DIPLAY DEVICES CO.,LTD. KOREA
95	LCD BASE	M3850	ea	1		DAEHAN PRECISION CO.,LTD
96	LCD WINDOW	"	ea	1		DAEHAN PRECISION CO.,LTD
97	GROUND POLE	M36CR	ea	1		ILSHIM PRECISION CO.
98	SHIELD PAPER	M36D	ea	1		SUNGWON IND.CO.
99	SELECTOR SHAFT	M3270	ea	1		DAEHAN PRECISION CO.,LTD
100	SELECTOR KNOB	M36D	ea	1		DAEHAN PRECISION CO.,LTD

MATERIAL PART LIST

Model : M-3650D

Date : APR. 22, 1994

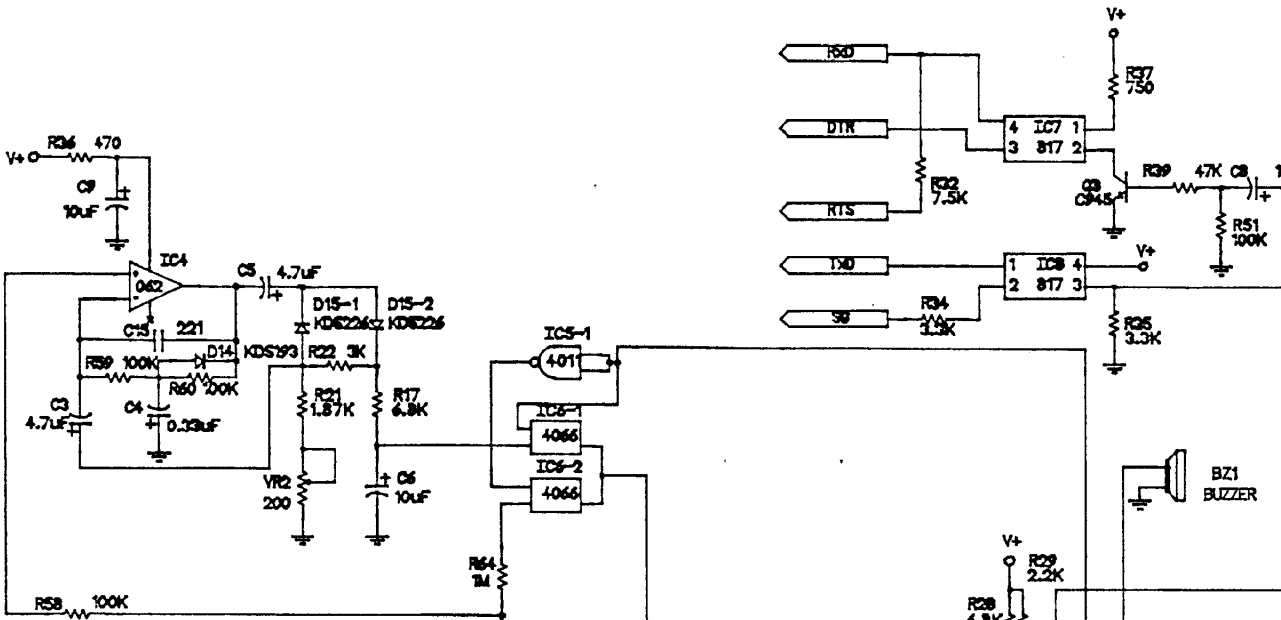
NO	NAME	RATINGS & DIMENSION	UNIT	Q'TY	PART NO.	REMARKS
101	P.C.B	M3650D 73.0 x 155.5 x 1.6t	ea	1		KIJCO INDUSTRIAL CO., LTD. KOREA DONGYANG PRODUCTS CO., LTD.
102	"	M3650D 69.0 x 77.5 x 1.6t	ea	1		
103	CONNECTOR PIN	90 m/m	ea	33		SAMWHA PRECISION CO.
104	IC. SOCKET	11 PIN (1/2 20 PIN)	e	1		WCOYCUNG INDUSTRIAL, LTD.
105	"	7 PIN	ea	1		WCOYCUNG INDUSTRIAL, LTD.
106	"	5 PIN	ea	1		WCOYCUNG INDUSTRIAL, LTD.
107	"	4 PIN	ea	2		WCOYCUNG INDUSTRIAL, LTD.
108	"	2 PIN	ea	1		WCOYCUNG INDUSTRIAL, LTD.
109	BATTERY SNAP	M36CR (180 mm)	ea	1		WONJIN IND.CO. KOREA
110	FRONT CASE	M36D 94HB	ea	1		LUCKY ,LTD. KOREA
111	BACK CASE	M3850 94HB	ea	1		LUCKY ,LTD. KOREA
112	POWER S/W KNOB	M3270	ea	1		LUCKY ,LTD. KOREA
113	BATTERY COVER	M3850	ea	1		LUCKY ,LTD. KOREA
114	STAND	M3270	ea	1		LUCKY ,LTD. KOREA
115	S/W RUBBER GUIDE	M36D	ea	1		LUCKY ,LTD. KOREA
116	ENCLOSE MOLDER	C-3345				DAEHAN PRECISION CO. KOREA
117	KEY RUBBER	M3270 (3 Key)	ea	1		KYUNG WON IND.CO. KOREA
118	"	M36D (2 Key)	ea	1		KYUNG WON IND.CO. KOREA
119	GASKET	M3650D	ea	1		SUNG WON INC.CO. KOREA
120	E RING	φ 5.0	ea	1		A-JU CO.
121	BALL	φ 4.0 (φ 3.96)	ea	2		DUCK SHIN CO.
122	COIL SPRING	φ 3.85x7.5Lx6TURN	ea	1		HYUP SUNG IND.CO. - KOREA
123	"	φ 3.85x6.0Lx5TURN	ea	1		HYUP SUNG IND.CO. KOREA
124	INTER CONNECTOR	M3850 48.0 X 18.8 X 1.7	ea	1		YU IL ELECTRONICS CO.
125	"	M36D 69.5 X 24.0 X 1.7	ea	1		YU IL ELECTRONICS CO.

M A T E R I A L P A R T L I S T

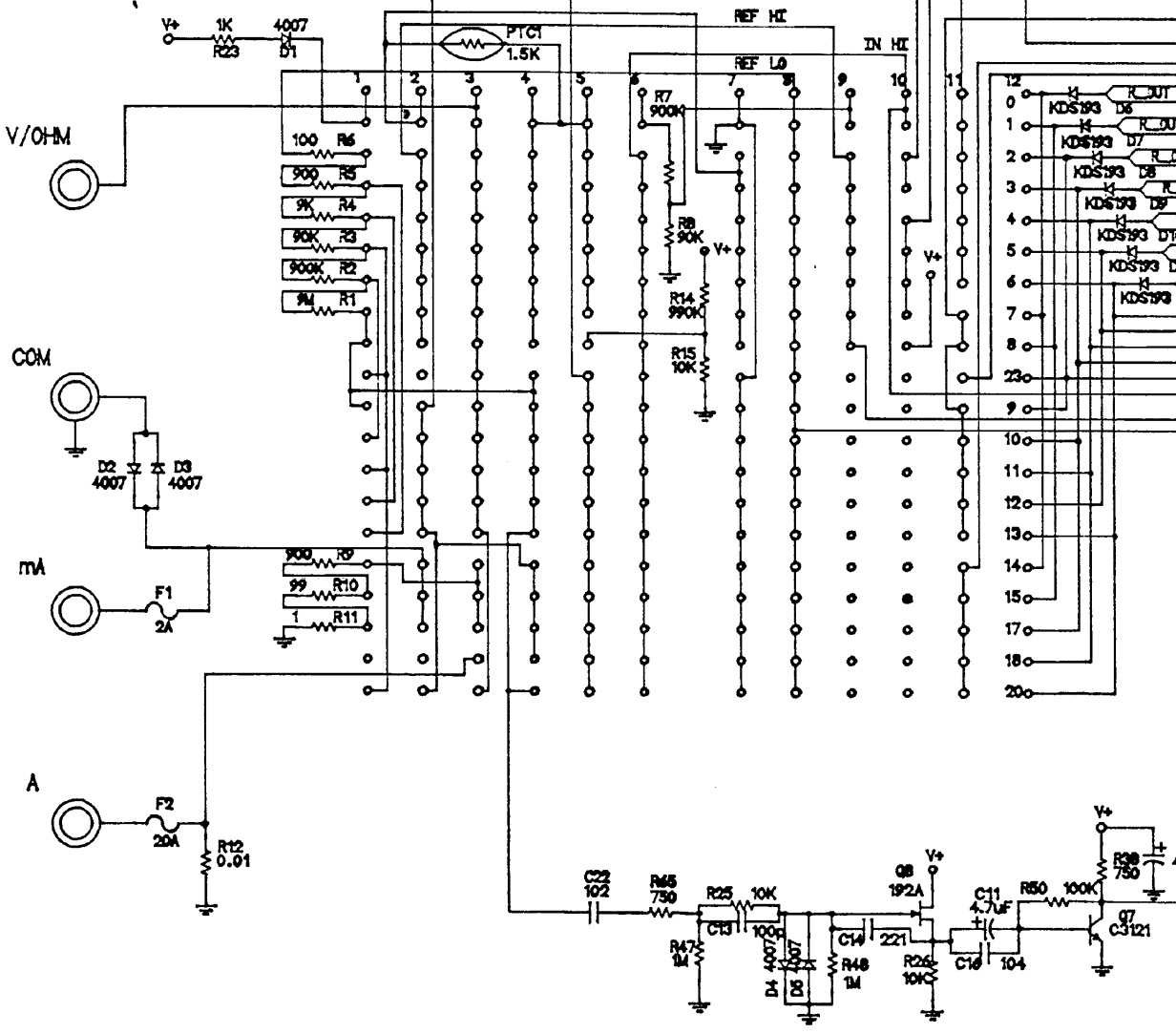
Model : M-3650D

Date : PAR. 22, 1994

NO	N A M E	RATINGS & DIMENSION	UNIT	Q'TY	PART NO.	REMARKS
126	SILICON RUBBER	M36D 21.5 X 18.3 X 1.7	ea	1		YU IL ELECTRONICS
127	SCREW	M36CR (M3.0 x 21.0)	ea	4		SUNG GA IND.CO. KOREA
128	"	M36CR (M2.6 x 10.5)	ea	1		SUNG GA IND.CO. KOREA
129	"	M3 x 4.0 (MACHINE)	ea	6		SUNG GA IND.CO. KOREA
130	"	M2 x 5.0 (TAPPING)	ea	4		SUNG GA IND.CO. KOREA
131	"	M36CR (M2.6 x 4)	ea	1		SUNG GA IND.CO. KOREA
132	"	M2.6 x 7.0	ea	3		SUNG GA IND.CO.
133	"	M2.6 x 3.0	ea	2		SUNG GA IND.CO.
134	S/W PANNEL	M3650D	ea	1		SUNGWON IND.CO.
135	AIR BAG	M3850	ea	1		YU SUNG IND.CO.
136	CONNECTOR WAFER	3024-06AHPB	ea	1		MOLEX JAPAN CO.,LTD
137	RUBBER FOOT	M36B	ea	1		KYUNG WCN IND.CO.
138	"	M3850	ea	1		KYUNG WCN IND.CO.
139	SELECT SHAFT	M3270	ea	1		IL SHIM PRECIHION CO.
140	FRONT CASE INSERT A	ϕ 5.0 x 6.4	ea	2		IL SHIM PRECIHION CO.
141	FRONT CASE INSERT B	ϕ 5.0 x 10.4	ea	2		IL SHIM PRECIHION CO.
142	BACK CASE INSERT	M36CR (ϕ 4.0 x 5.0)	ea	1		IL SHIM PRECIHION CO.
143	LCD BASE INSERT	ϕ 5.0 x 10.0	ea	4		IL SHIM PRECIHION CO.
144	PCB SUPPORT	ϕ 4.0 x 7.0	ea	3		IL SHIM PRECIHION CO.
145	JACK TERMIANL MOLD	M3850	ea	4		IL SHIM PRECIHION CO.
146	BATTERY	9 V 6F22(FC-1)	ea	1		STC CORPORATION KOREA
147	TEST LEAD	1500 V	pair	1		JIN AH IND.CO. KOREA
148	RS - 232C CABLE	6 PIN (OPTION)	ea	1		JIN AH IND.CO. KOREA
149	JUMP WIRE	8.5 Cm STYLE: 1007 SIZE : AWG26	ea	1		HAN YOUNG ELECTRONICS



RANGE
1. continuity
2. diode
3. 200 ohm
4. 2 K ohm
5. 20 K ohm
6. 200 K ohm
7. 2 Mohm
8. 20 Mohm
9. 200 Mohm
10. FREQUENCY
11. 200 mV
12. 2 V
13. 20 V
14. 200 V
15. 1000 V
16. 200 uA
17. 2 mA
18. 200 mA
19. 20 A
20. LOGIC



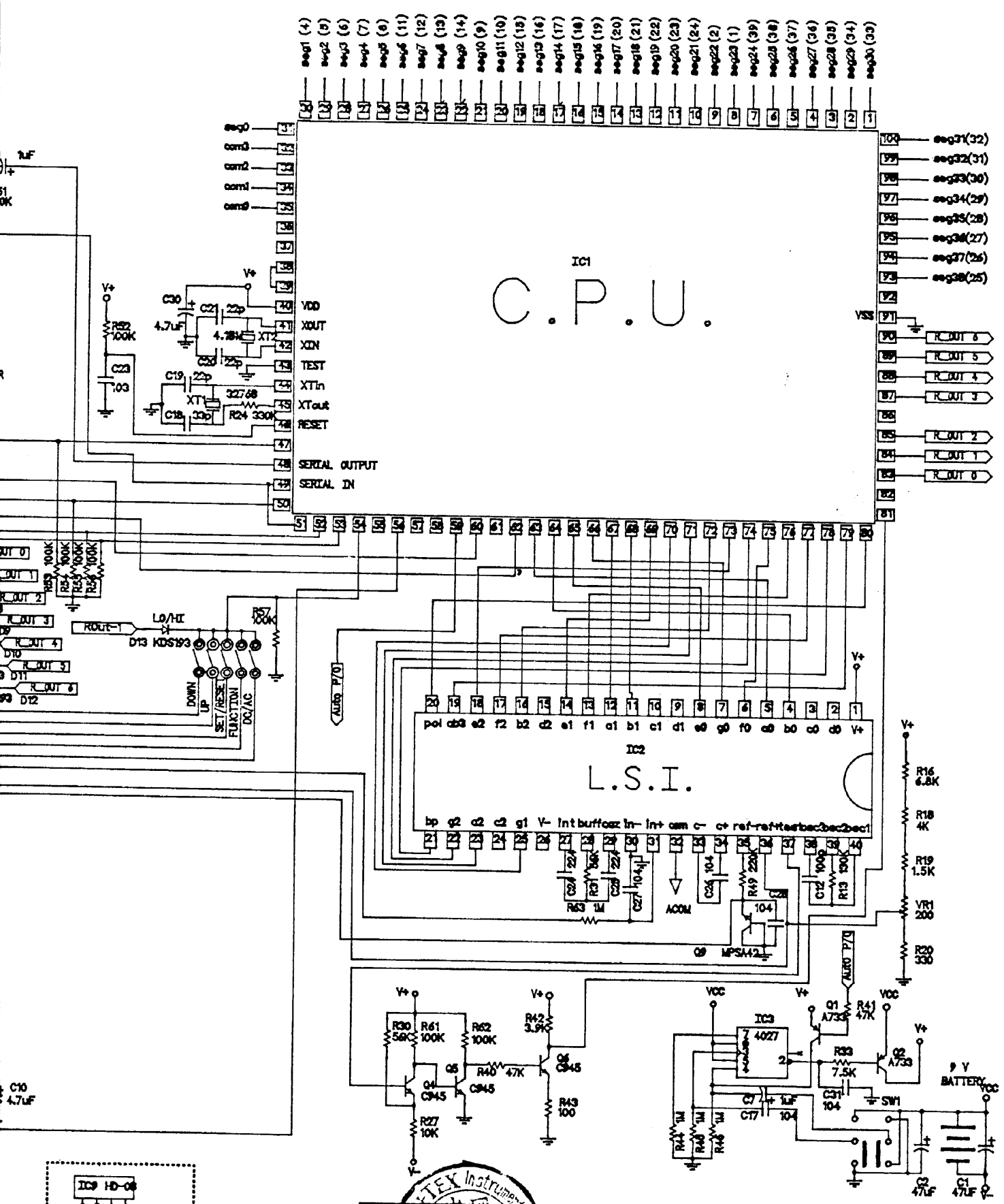
V/OHM

COM

mA

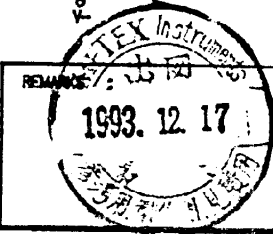
A

BZ1
BUZZER



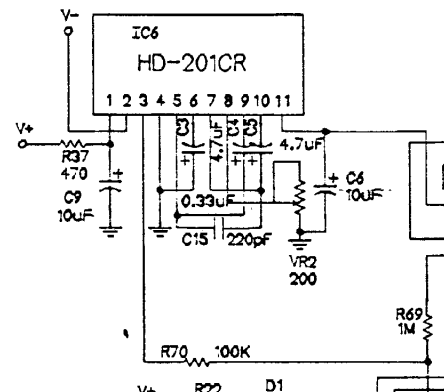
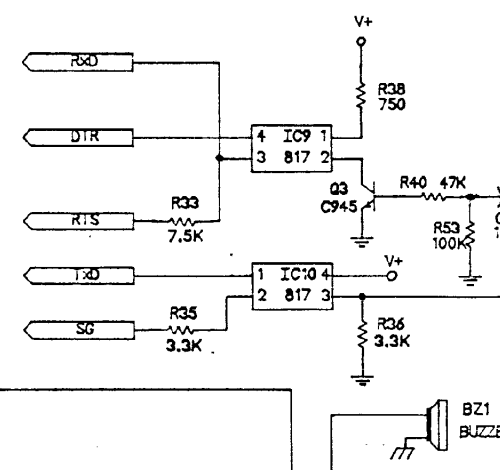
IC1
C.P.U.

IC2
L.S.I.

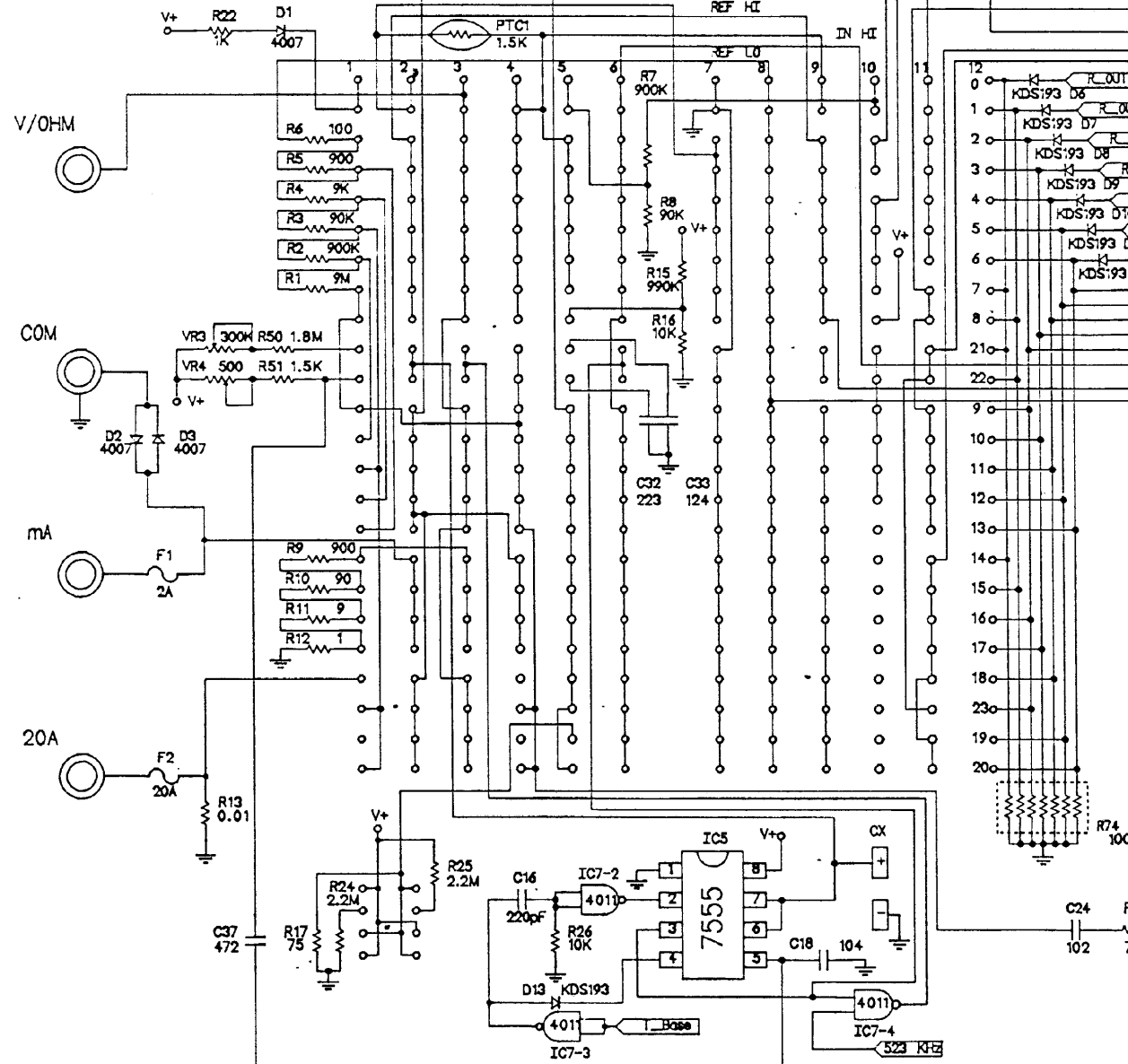


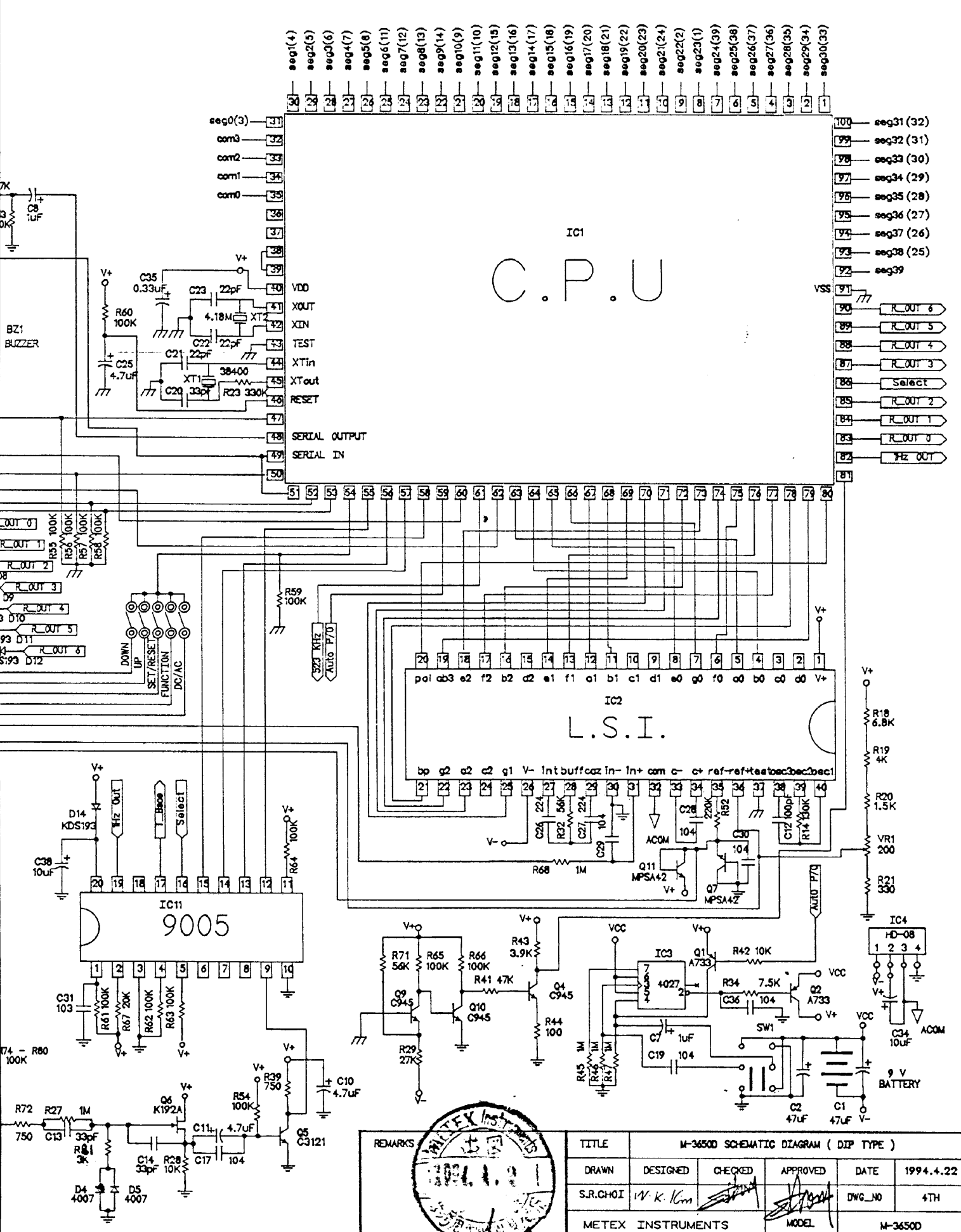
TITLE					
M-36100 SCHEMATIC DIAGRAM					
DRAWN	DESIGNED	CHECKED	APPROVED	DATE	1993.12.14
M.K.K. M.K.K.					DWG_NO 2 nd
METEX INSTRUMENTS			MODEL		M-36100

1	2	3	4	5	6	7	8	9	10	11	12	13	14	15	16	17	18	19	20	21	22	23	24	25
LOGIC	A	H	D	H	RCU	bc1	bc1	bc1	bc1	bc1	bc1	bc1	bc1	bc1	bc1	bc1	bc1	bc1	bc1	bc1	bc1	bc1	bc1	bc1
-	TEMP	MEV	MEV	R	H	bc1	bc1	bc1	bc1	bc1	bc1	bc1	bc1	bc1	bc1	bc1	bc1	bc1	bc1	bc1	bc1	bc1	bc1	bc1
+	FRE	2	CMR	MAX	DUAL	u1	P1	d1	e7	c7	P2	a2	P3	a3	bc2	e4	c4	e5	c5	e6	c6	(m3)	(m1)	(u1)
HFE	CAP	COIL	REL	COM		f1	a1		d7	f2	a2	f3	a3	(x2)	P4	d4	P5	a5	P6	d6	(g2)	(g1)	(g1)	P
26	27	28	29	30	31	32	33	34	35	36	37	38	39	40	41	42	43	44	45	46	47	48	49	50
A	H																							
(s1)	(k)	(n2)	(t2)																					
(t)	(m2)	(p3)																						
(u)	(p2)																							



RANGE
1. continuity
2. close
3. 200 ohm
4. 2 Kohm
5. 20 Kohm
6. 200 Kohm
7. 2 Mohm
8. 20 Mohm
9. 200 Mohm
10. CAP LO
11. CAP HI
12. 200 mV
13. 2 V
14. 20 V
15. 200 V
16. 1000 V
17. 200 uA
18. 2 mA
19. 20 mA
20. 200 mA
21. 20 A
22. FREQ
23. HFE
24. LOGIC





REMARKS

METEX INSTRUMENTS

TITLE				
M-3650D SCHEMATIC DIAGRAM (DIP TYPE)				
DRAWN	DESIGNED	CHECKED	APPROVED	DATE
S.R.CH01	V. K. K			1994.4.22
METEX INSTRUMENTS			MODEL	M-3650D